

Industrial Manipulators



Pneumatic Manipulator SUPPORTER with double cable;

Supporter, generally utilized with a hook, can be equipped with simple gripping tools to allow the handling of light loads in a weightless condition in any direction. The particular double arm structure and medium joint makes it easy to handle and gives precision throughout the working area.

Weight capacity : 50 kg

Max radius : 2200 mm

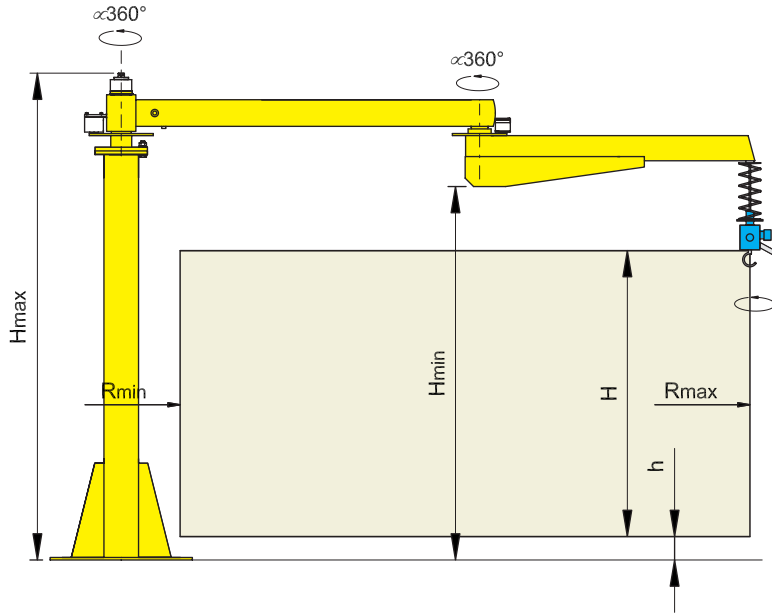
Vertical lift : 1400 mm

Manipulators' areas of application;

Automotive, Food, Chemistry, Building, Electric, Electronic, Foundry, Packaging, Wood, Mechanics, Textile, Ceramic, White goods, Tobacco, Caoutchouc, Rubber.

Supporter

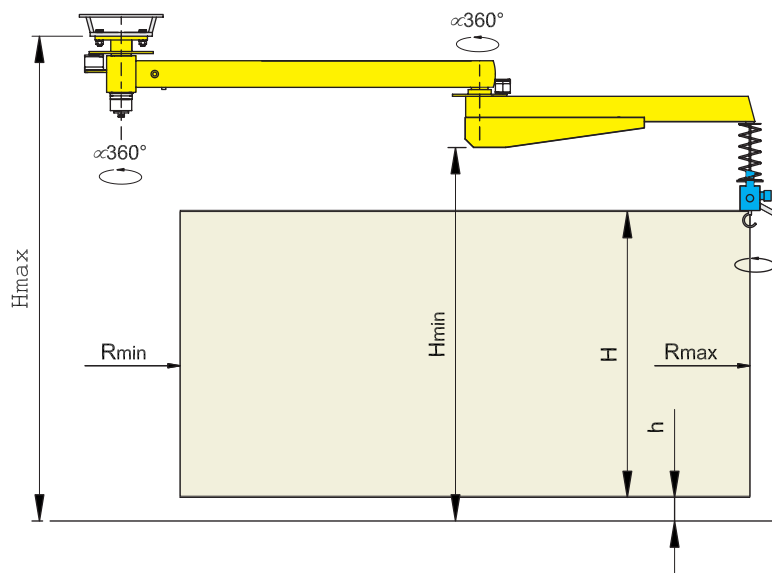
Supporter column mounted-SY



Weight capacity	kg	50	
Max radius	mm	Rmax	2240
Min radius	mm	Rmin	160
Vertical lift (H)	mm	H	1400
Min Vertical lift (h)	mm	*h	200
Max Manipulator height (Hmax)	mm	*Hmax	2600
Min Manipulator height (Hmin)	mm	*Hmin	2100

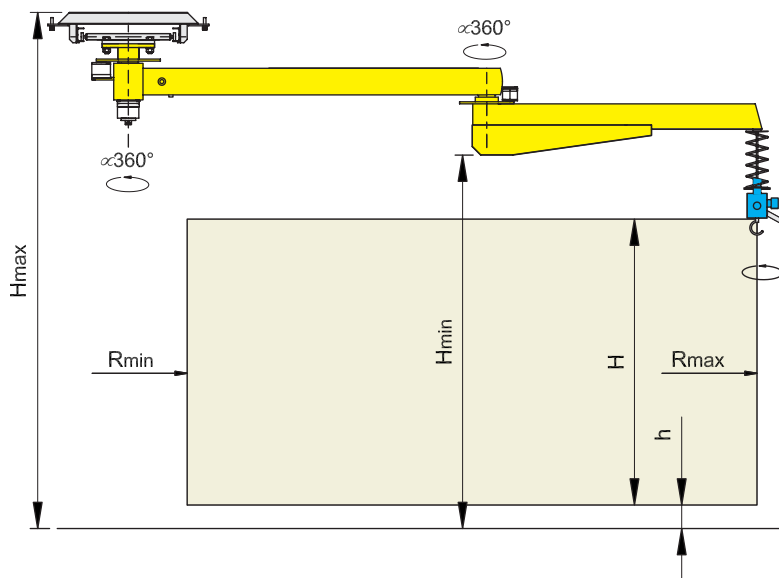
Air supply: Dry and oil free compressed air min. Constant 0.7/0.8 MPa

Supporter overhead mounted-ST



Weight capacity	kg	50	
Max radius	mm	Rmax	2240
Min radius	mm	Rmin	160
Vertical lift (H)	mm	H	1400
Min Vertical lift (h)	mm	*h	200
Max Manipulator height (Hmax)	mm	*Hmax	2600
Min Manipulator height (Hmin)	mm	*Hmin	2100

Supporter overhead trolley mounted-STA



Weight capacity	kg	50	
Max radius	mm	Rmax	2240
Min radius	mm	Rmin	160
Vertical lift (H)	mm	H	1400
Min Vertical lift (h)	mm	*h	200
Max Manipulator height (Hmax)	mm	*Hmax	2800
Min Manipulator height (Hmin)	mm	*Hmin	2100

* marked dimensions change according to customer request.
Max radius (Rmax) increase by the weight capacity reduce.

