

Industrial Manipulators



Pneumatic Manipulator TRANSPORTER with double cable;

Transporter, generally utilized with a hook, can be equipped with simple gripping tools to allow the handling of light loads in a weightless condition in any direction. The particular double arm structure and medium joint makes it easy to handle and gives precision throughout the working area.

Weight capacity : 120 kg

Max radius : 3000 mm

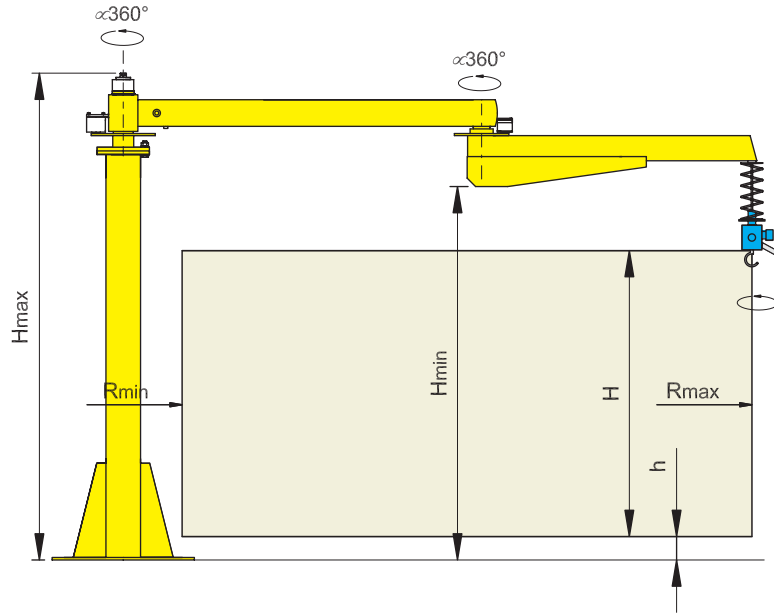
Vertical lift : 1800 mm

Manipulators' areas of application;

Automotive, Food, Chemistry, Building, Electric, Electronic, Foundry, Packaging, Wood, Mechanics, Textile, Ceramic, White goods, Tobacco, Caoutchouc, Rubber.

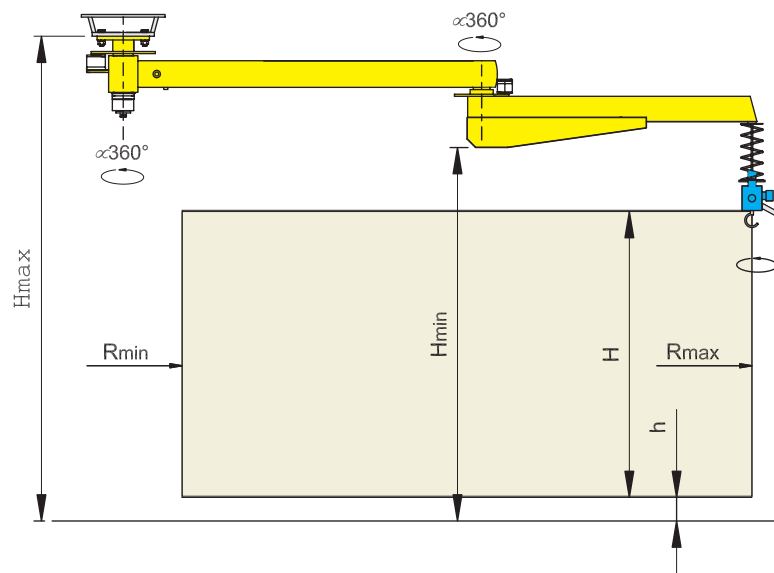
Transporter

Transporter column mounted-TY



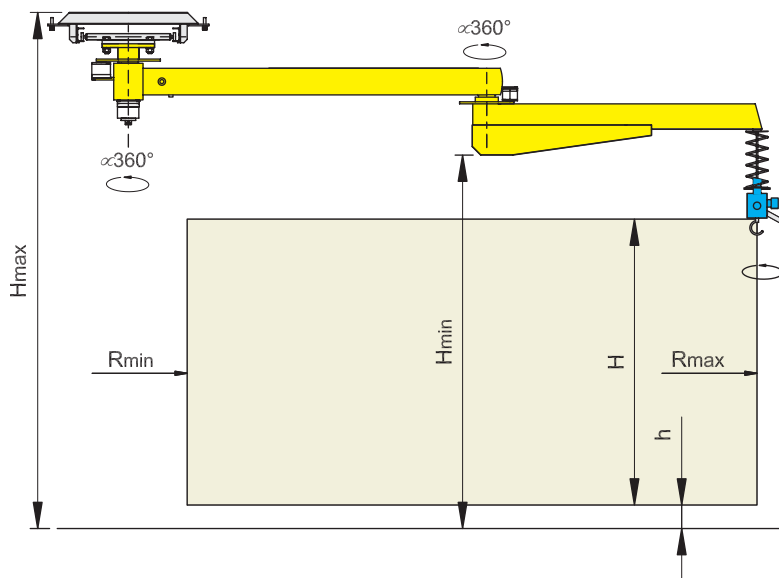
Weight capacity	kg	120	
Max radius	mm	Rmax	3000
Min radius	mm	Rmin	420
Vertical lift (H)	mm	H	1800
Min Vertical lift (h)	mm	*h	150
Max Manipulator height (Hmax)	mm	*Hmax	2950
Min Manipulator height (Hmin)	mm	*Hmin	2400

Transporter overhead mounted-TT



Weight capacity	kg	120	
Max radius	mm	Rmax	3000
Min radius	mm	Rmin	420
Vertical lift (H)	mm	H	1800
Min Vertical lift (h)	mm	*h	150
Max Manipulator height (Hmax)	mm	*Hmax	2950
Min Manipulator height (Hmin)	mm	*Hmin	2400

Transporter overhead trolley mounted-TTA



Weight capacity	kg	120	
Max radius	mm	Rmax	3000
Min radius	mm	Rmin	420
Vertical lift (H)	mm	H	1800
Min Vertical lift (h)	mm	*h	150
Max Manipulator height (Hmax)	mm	*Hmax	3200
Min Manipulator height (Hmin)	mm	*Hmin	2400

* marked dimensions change according to customer request.
Max radius (Rmax) increase by the weight capacity reduce.